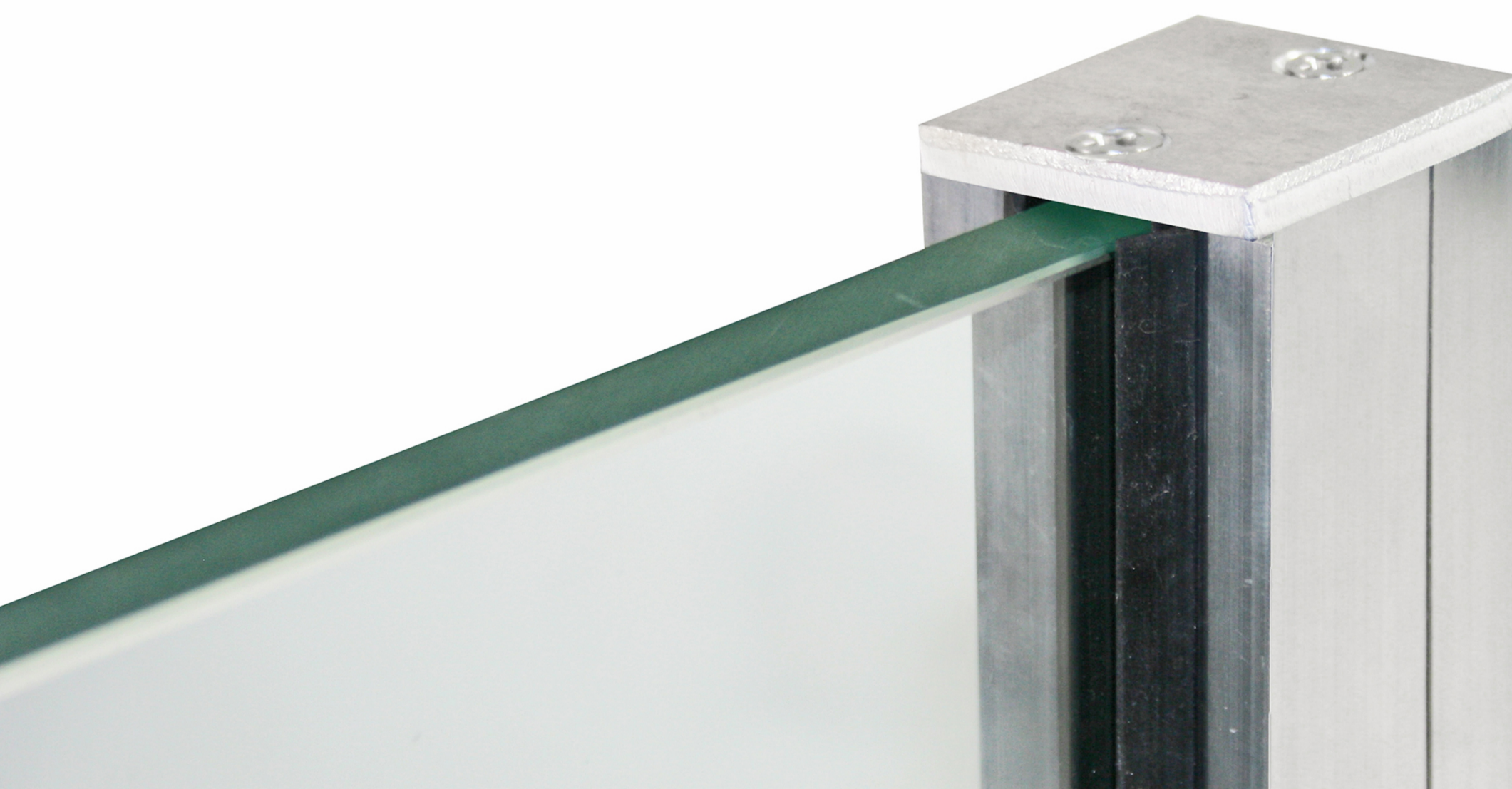


Set of profiles mounted to the window frame

# RX

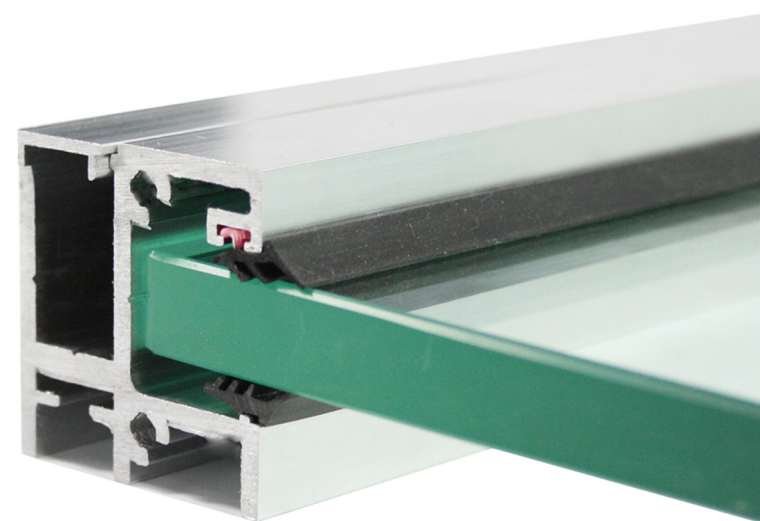
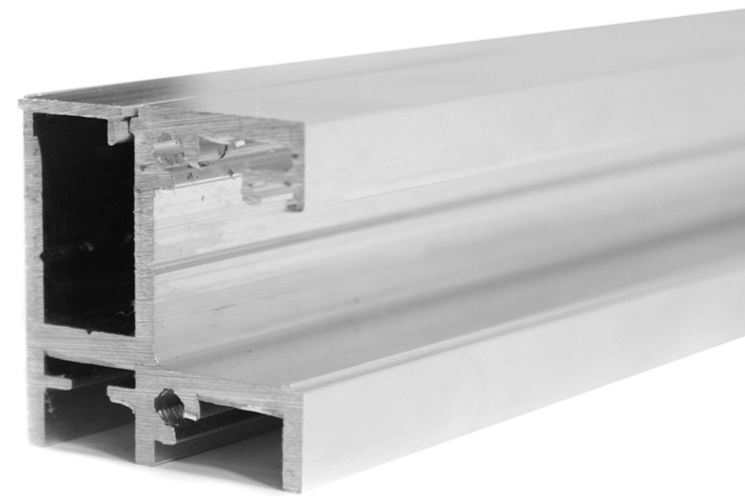
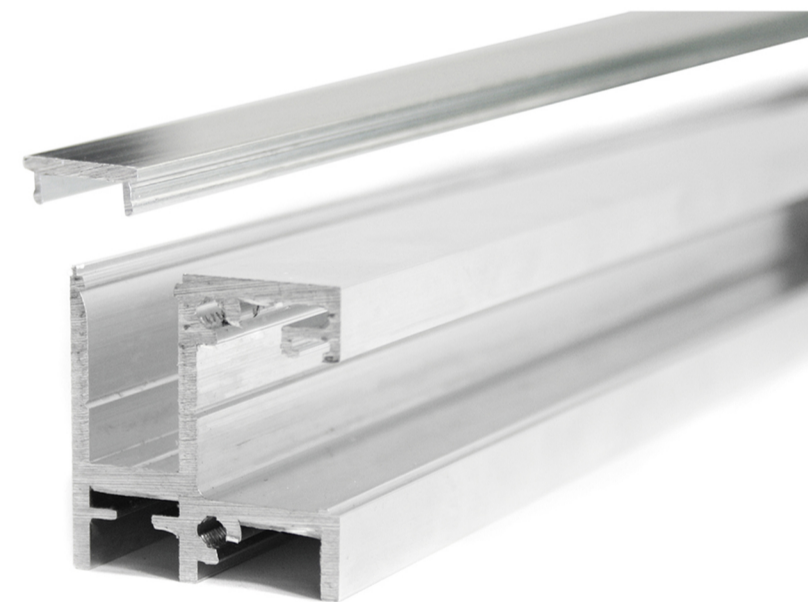
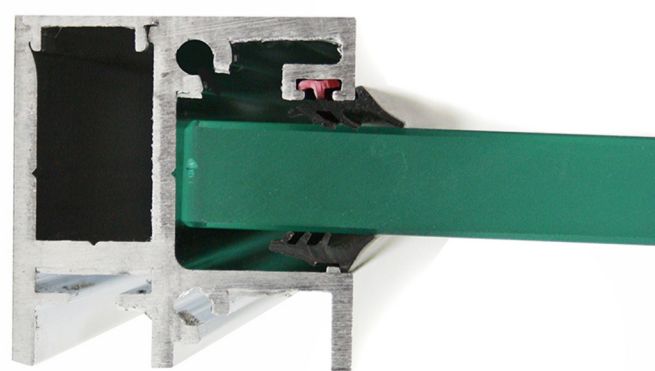
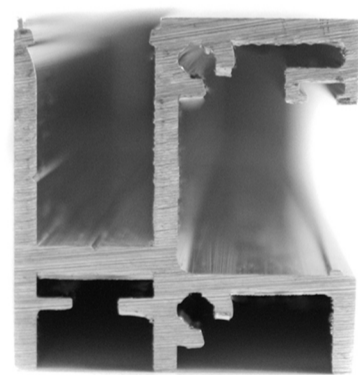
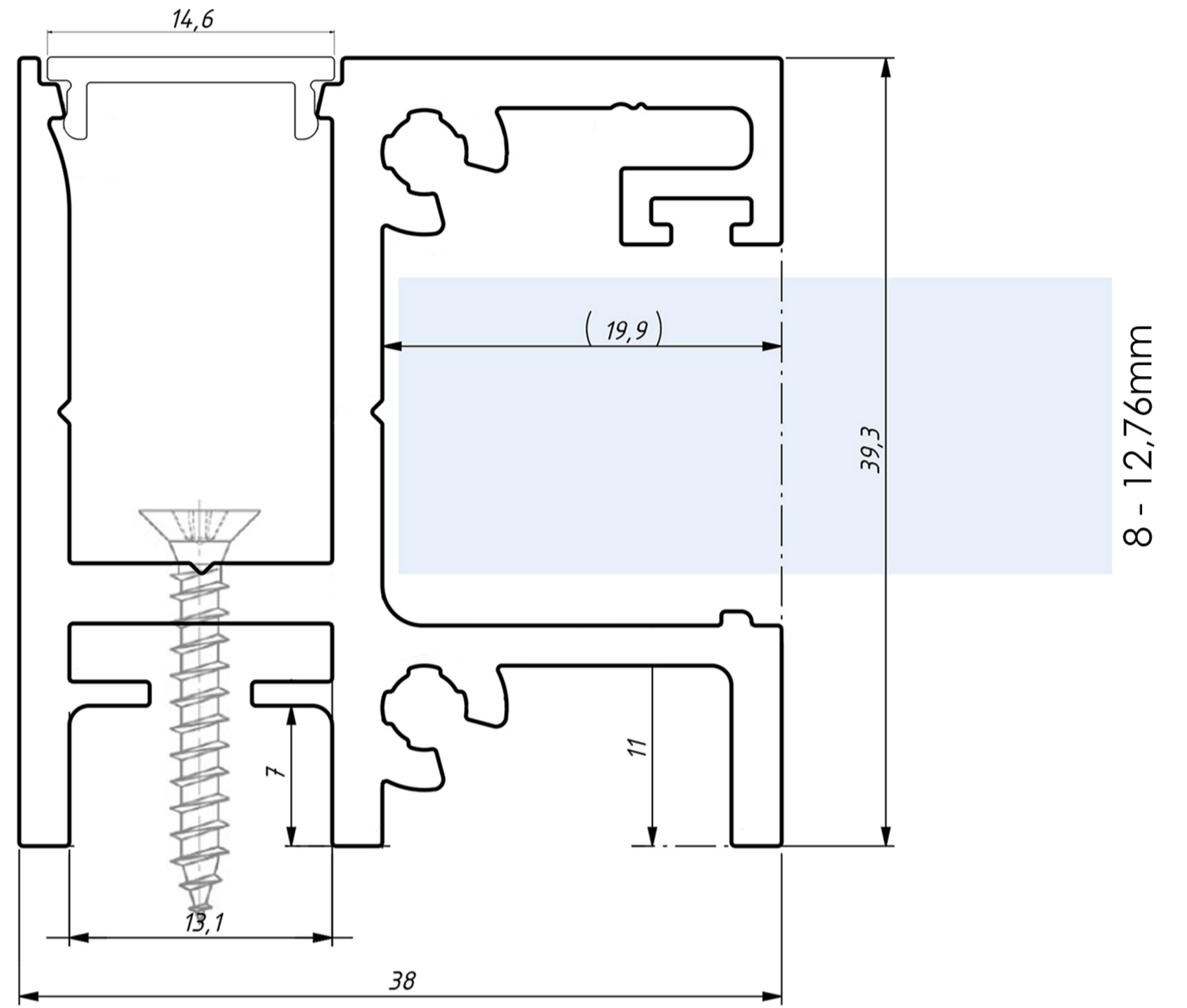
RAW ALUMINUM

Product code: BF.RX.1100.AL.R / BF.RX.1000.AL.R / BF.RX.600.AL.R



# TECHNICAL DATA

BF.RX.1100.AL.R QUICK AND EASY ASSEMBLY



# TECHNICAL DATA

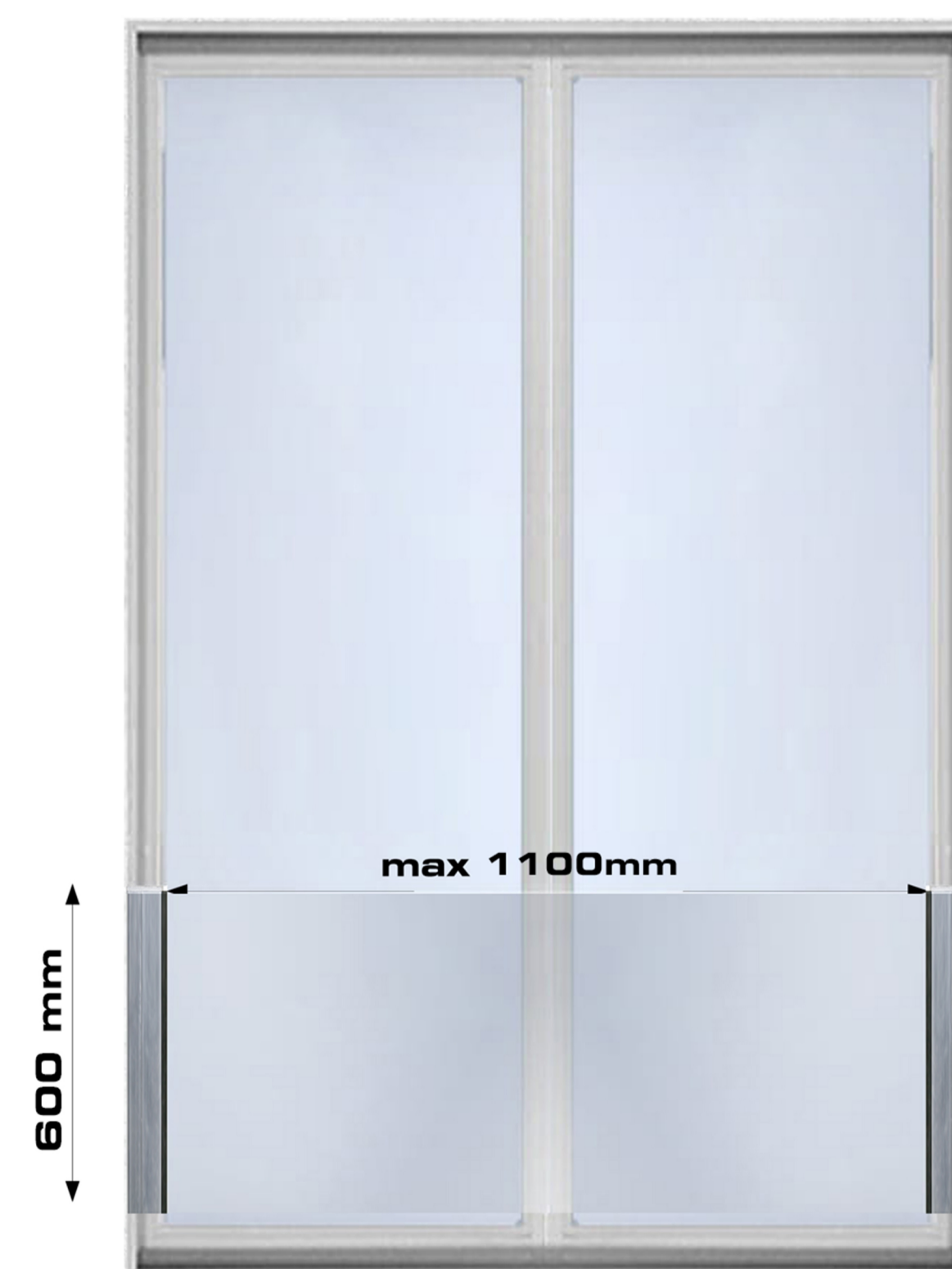
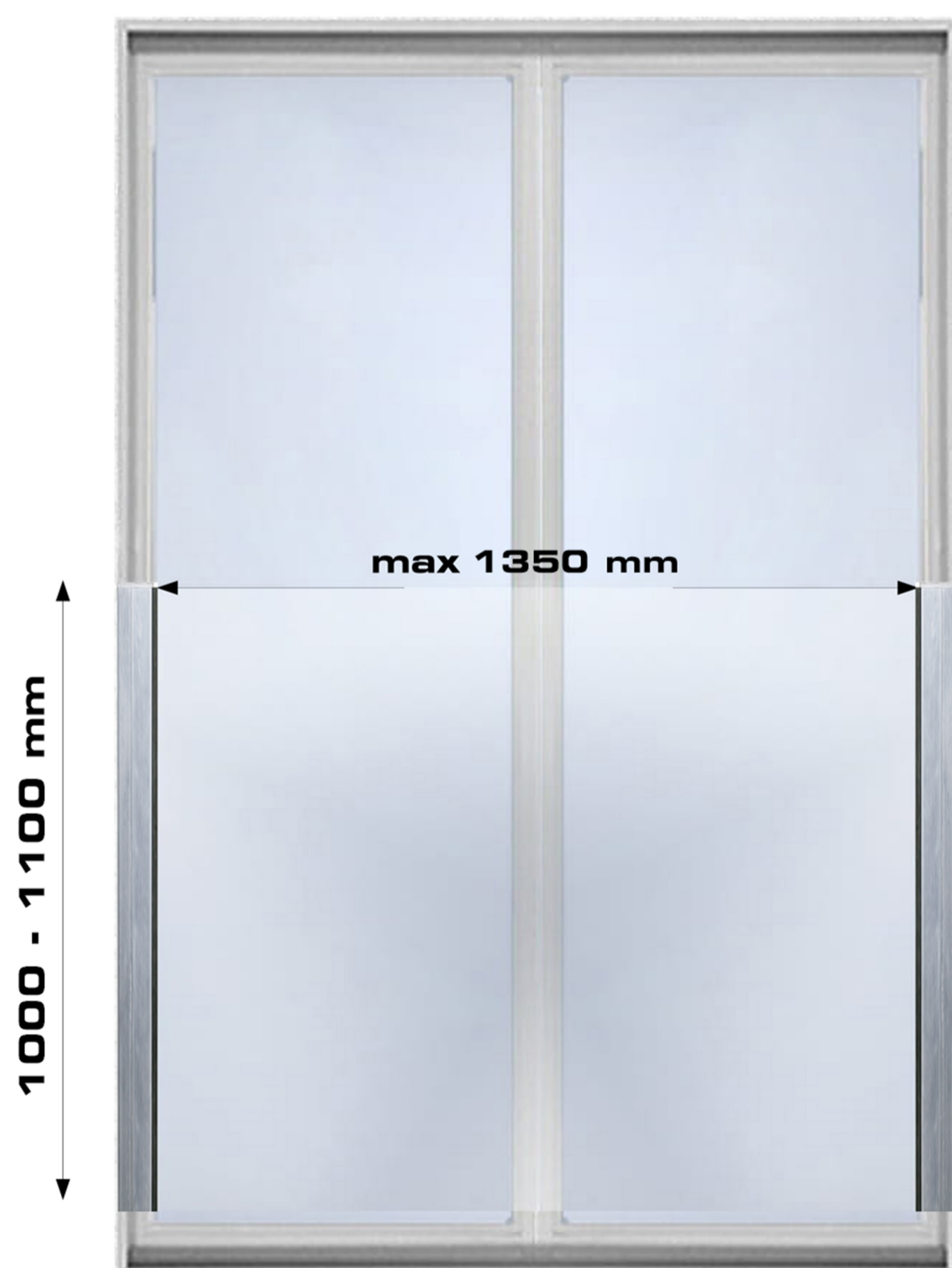
BF.RX.1100.AL.R



## Glass thickness 8 - 8.76mm



## Glass thickness 10 - 10.76mm

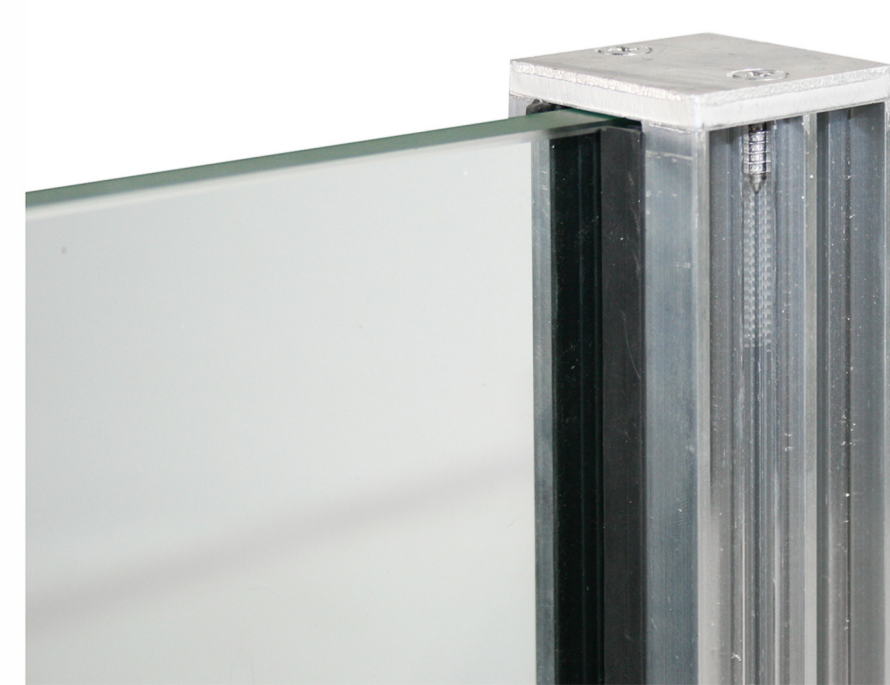
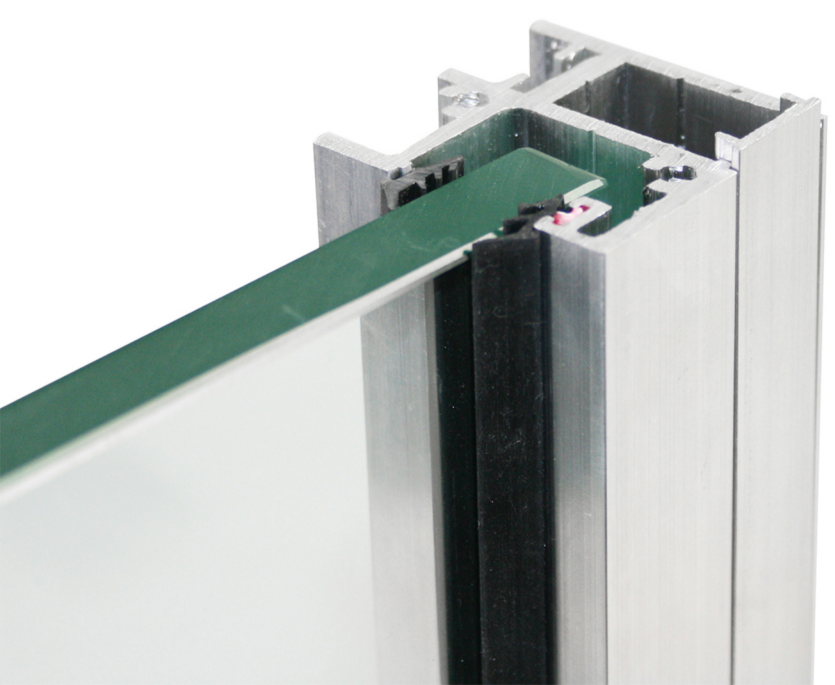
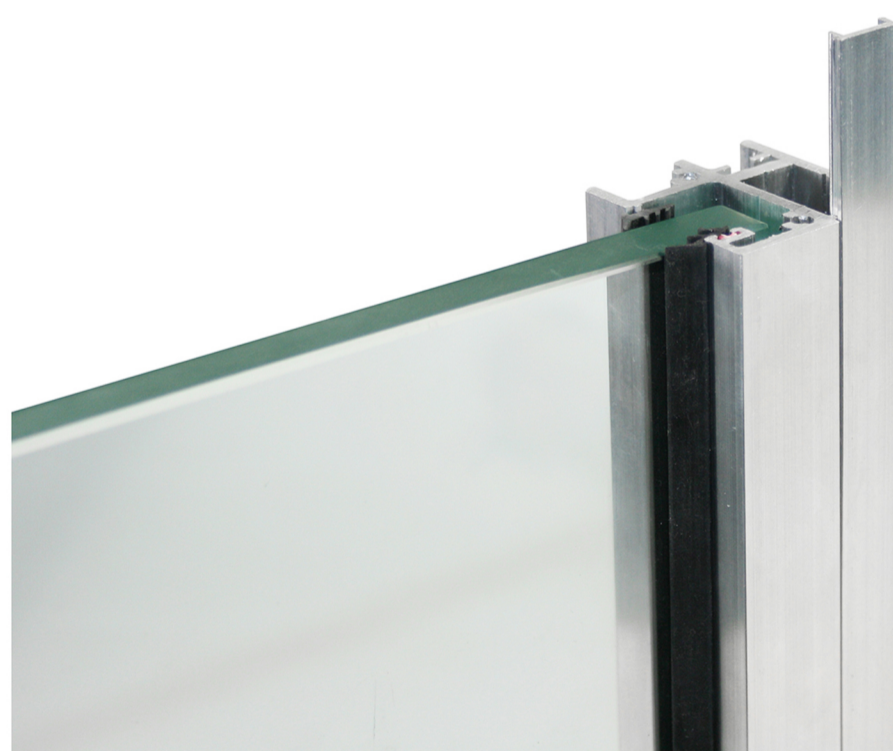
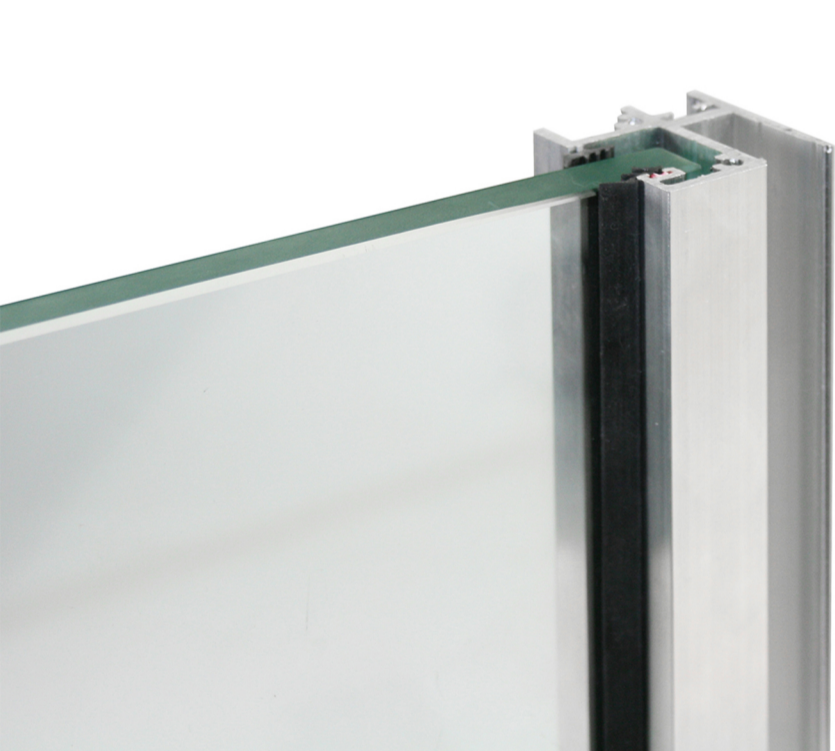
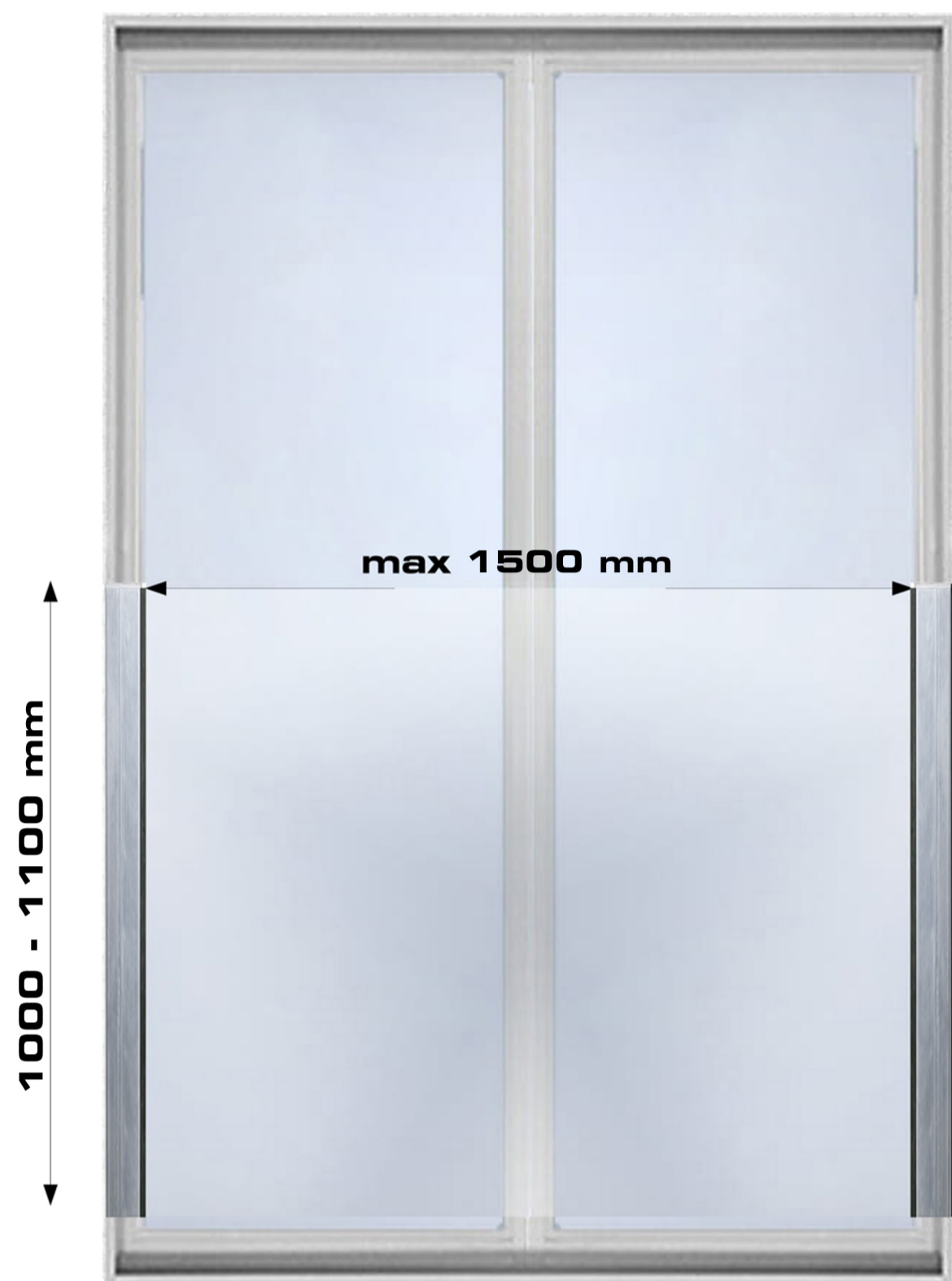


# TECHNICAL DATA

BF.RX.1100.AL.R



## Glass thickness 12 - 12.76mm

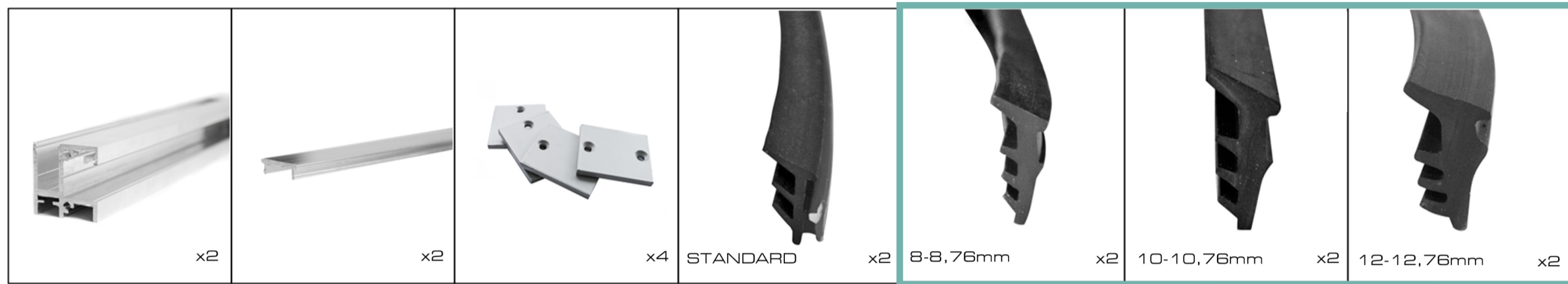


# TECHNICAL DATA

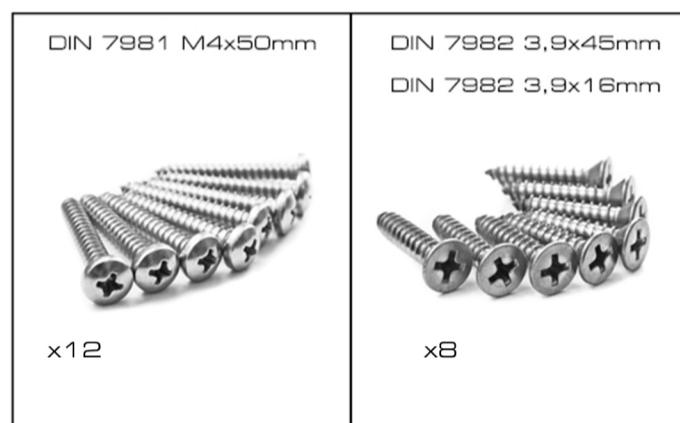
BF.RX.1100.AL.R



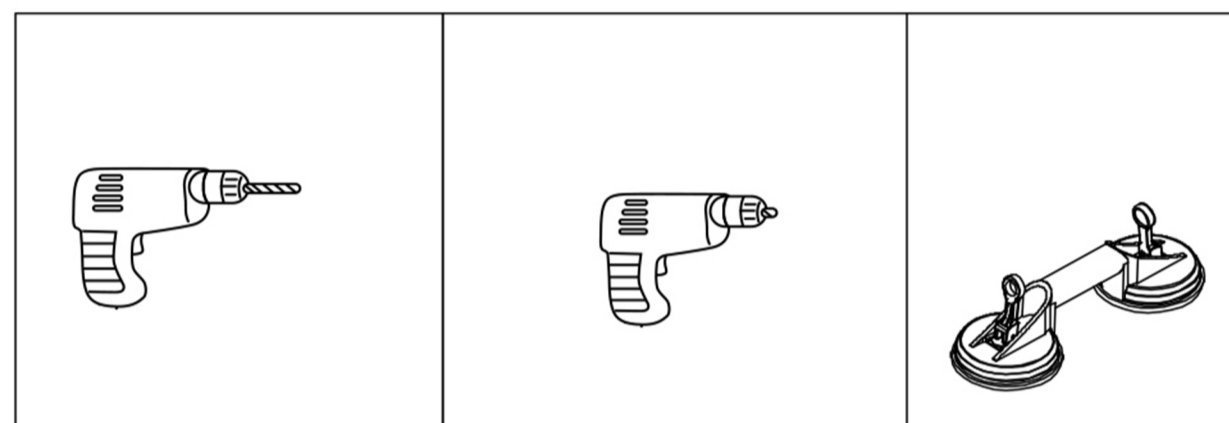
## ALUMINIUM FRAME



## SCREWS

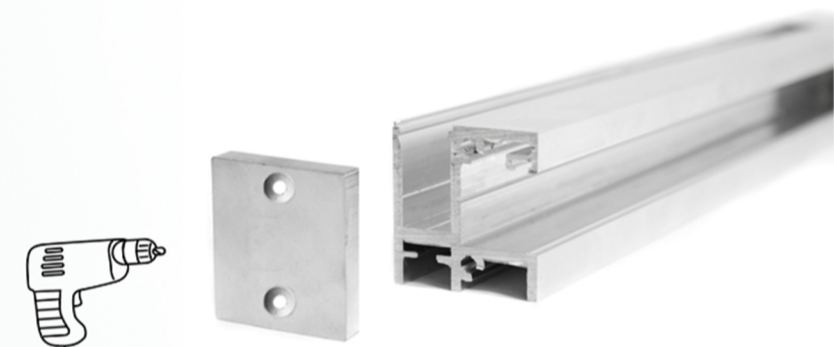


## TOOLS

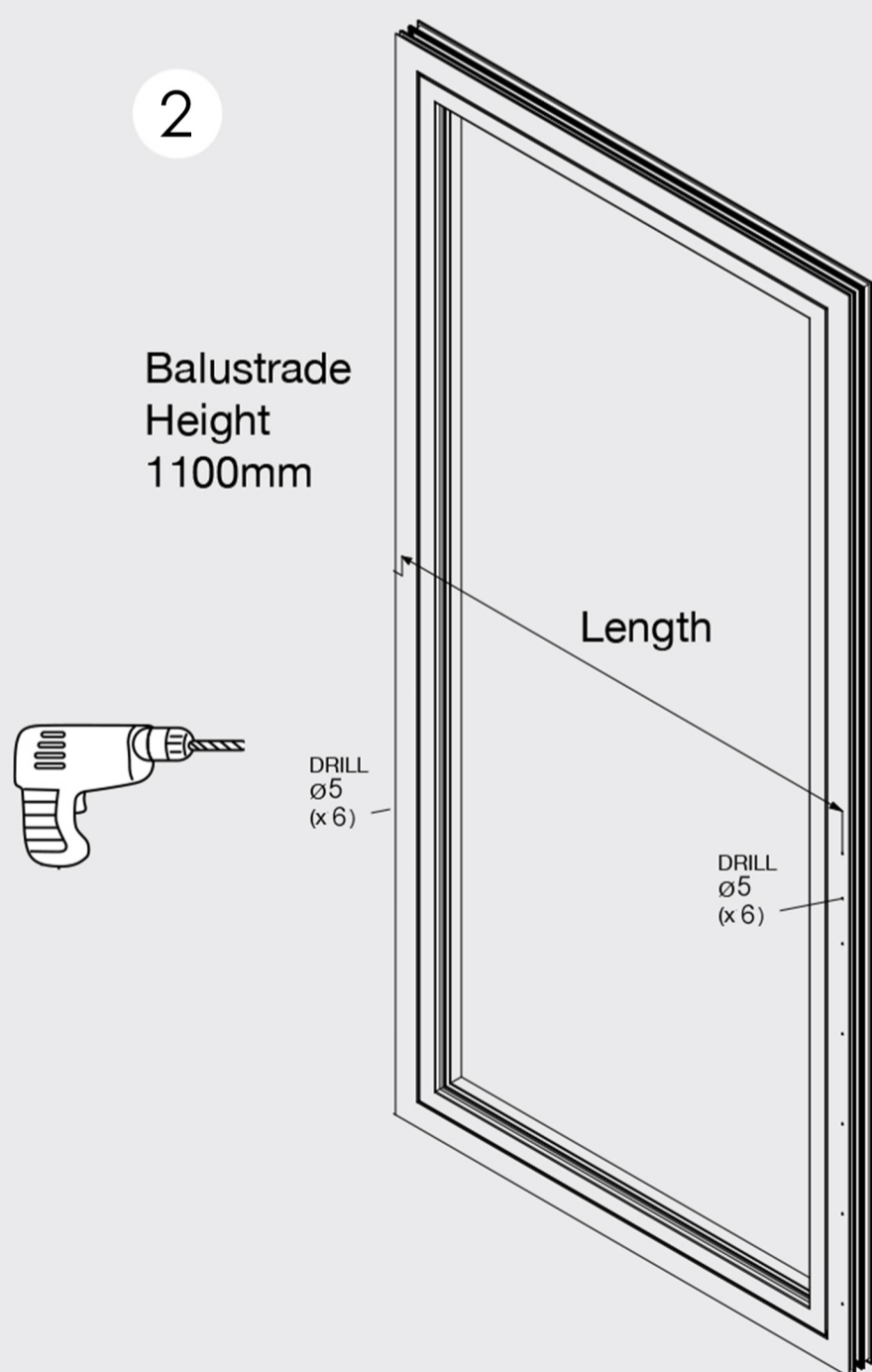


1

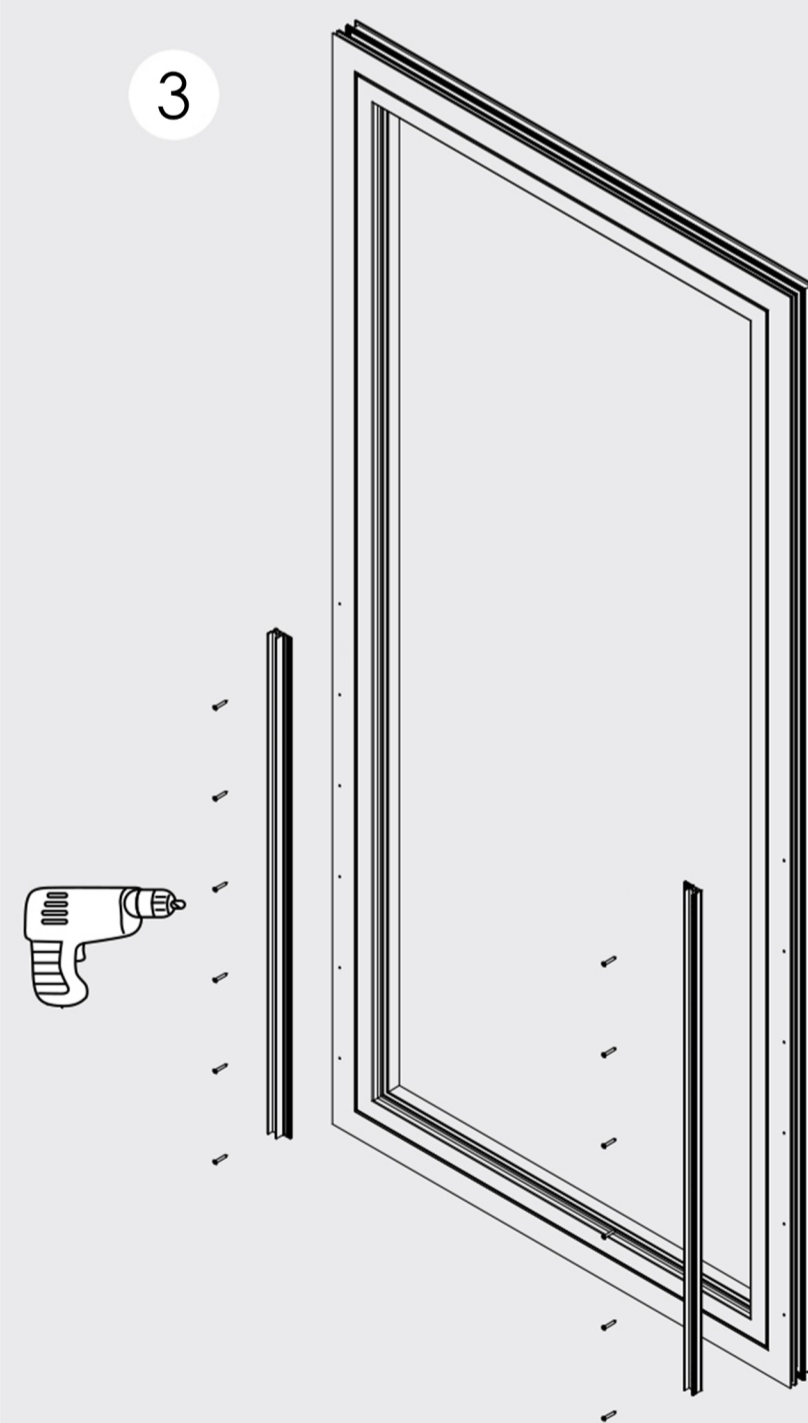
Before screwing the profiles to the window frame, you need to screw bottom caps.



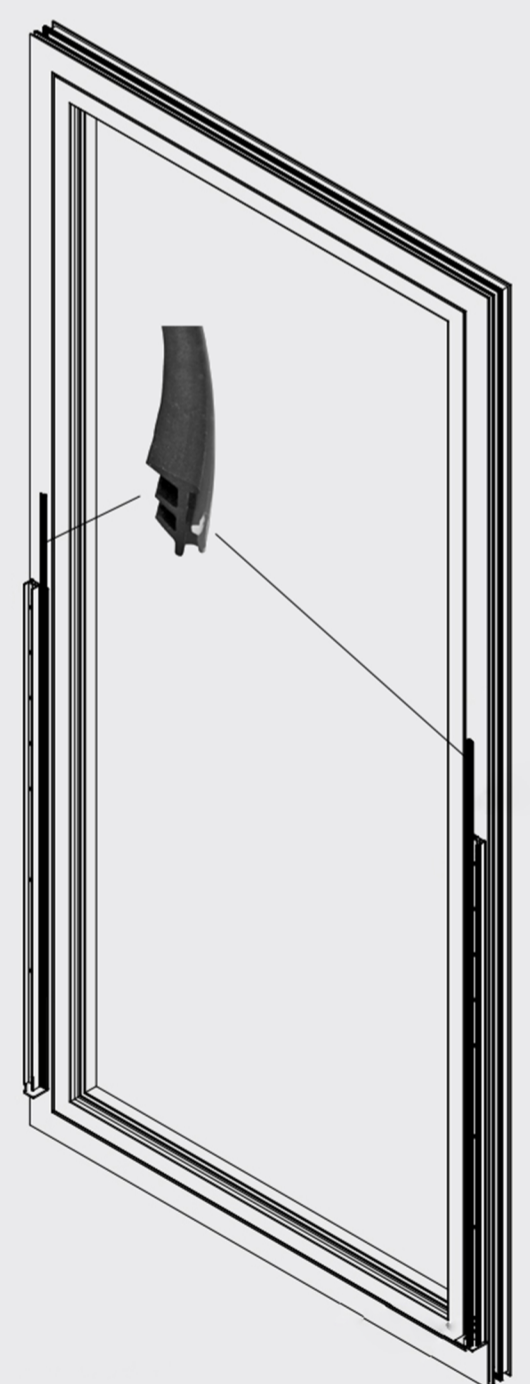
2



3



4



# TECHNICAL DATA

BF.RX.1100.AL.R

**RX**  
POLSKA

